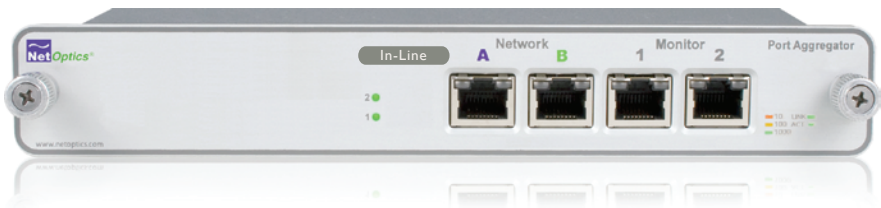




Installation Guide for 10/100 to Triple-speed Port Aggregator

Model TPA-CU



Contents

Introduction	1
Key Features	3
About This Guide	4
Unpacking and Inspection	4
Product Diagrams	5
LED Indicators	5
Application Diagrams: Memory Operation	6
Cabling Guidelines	8
Connecting to the Network	8
Connecting to the Monitoring Devices	9
Specifications	10
Limitations on Warranty and Liability	11

PLEASE READ THESE LEGAL NOTICES CAREFULLY.

By using a Net Optics Tap you agree to the terms and conditions of usage set forth by Net Optics, Inc.

No licenses, express or implied, are granted with respect to any of the technology described in this manual. Net Optics retains all intellectual property rights associated with the technology described in this manual. This manual is intended to assist with installing Net Optics products into your network.

Trademarks and Copyrights

© 2010 by Net Optics, Inc. Zero Delay™ Net Optics® is a registered trademark of Net Optics, Inc. Additional company and product names may be trademarks or registered trademarks of the individual companies and are respectfully acknowledged.

Additional Information

Net Optics, Inc. reserves the right to make changes in specifications and other information contained in this document without prior notice. Every effort has been made to ensure that the information in this document is accurate.

Introduction

Net Optics 10/100 to Triple-speed Port Aggregator provides ultra-efficient access to critical links. This pioneering technology enables any monitoring device to simultaneously monitor a full-duplex link - using only one NIC per device.

Typically, full-duplex monitoring with a network tap requires two NICs (or a dual channel NIC) – one interface for each side of the tapped full-duplex connection. The Port Aggregator Tap combines and regenerates these streams, sending all aggregated data out two separate passive monitoring ports.

Triple-Speed Monitoring Ports

The 10/100 to Triple-speed Port Aggregator features triple-speed 10/100/1000 ports for monitoring tools, enabling faster tools to capture both sides of a fully-utilized 100 Mbps full-duplex link without relying on the Tap's buffering capability.

Buffering Prevents Lost Data

The 10/100 to Triple-speed Port Aggregator is designed to handle the combined traffic of a single full-duplex link. When the traffic queue exceeds the capacity of a 10 or 100 Mbps NIC, the Tap buffers the overflow of up to one gigabyte of data for both sides of the full-duplex connection. The buffer clears automatically when the traffic volume falls below the receiving capacity of the NIC. For example, if there is a traffic burst on a 100 Mbps network port and a 100 Mbps monitoring device is now receiving 140 Mbps of traffic, the Tap buffers data until the burst is over. The Tap then sends the buffered data to the monitoring device until the buffer is cleared.

Simple to Deploy

The Net Optics 10/100 to Triple-speed Port Aggregator is a simple plug-and-play solution addressing the fact that many monitoring systems, including most software-based solutions, only offer a single channel NIC, limiting full-duplex visibility. While adding a second NIC can help maintain data integrity and visibility, there is a trade-off in flexibility and ease-of-use. An operating system and NICs that enable binding are often required to achieve the same functionality as the Port Aggregator Tap. In contrast, the Port Aggregator Tap requires no additional components or configuration on the monitoring devices.

Better than Span Ports

In the past, Span ports were occasionally used to aggregate tapped traffic. However, in addition to other shortcomings of Span port monitoring, Span ports support very limited buffering and can simply drop data during bursts. The generous buffers of the Port Aggregator Tap prevent data loss in these conditions.

Zero Delay™ - A Net Optics Breakthrough

Highly sensitive network locations can improve monitoring performance via the innovative features of Net Optics Taps. If power is lost to other 10/100 Taps, the connected devices may introduce delays as they detect the power loss and try to re-establish their link.

Net Optics' pioneering design ensures that any loss of power to the Tap is transparent to the network and does not affect the flow of traffic through the Tap – eliminating packet delay and loss as potential security issues.

Security and Visibility

Without an IP address, monitoring devices are isolated from the network, dramatically reducing their exposure to attacks. However, the monitoring device connected to the Tap still sees all full-duplex traffic as if it were in-line, including Layer 1 and Layer 2 errors.

Simply Plug It In

Full-duplex monitoring is a snap when each side of the signal is sent to the same NIC on the monitoring device. All network and monitoring cables required for plug-and-play deployment are included with the 10/100 to Triple-speed Port Aggregator.

Reliability

For extra uptime protection, Net Optics Taps offer redundant power connections. Should the primary power source fail, the Tap automatically switches to the backup power source. Power LEDs on the front of the Tap indicate the current power source – even if power is lost and reapplied, there is always zero delay to network traffic.

Key Features

Passive, Secure Technology

- Supports full-duplex monitoring with a single NIC, increasing monitoring efficiency
- Regeneration Tap technology enables two devices to simultaneously monitor all aggregated traffic – using only one NIC per device
- Provides 10/100/1000 Monitor ports to support higher speed monitoring tools
- 10/100 Network ports automatically determine speed of attached link and operate accordingly
- 10/100/1000 Monitor ports operate in auto-negotiation mode and advertise all available speeds
- One gigabyte of total memory prevents data loss during excessive traffic loads
- Provides complete full-duplex visibility at 10 or 100 Mbps without data stream interference or introducing a point of failure
- Unique Zero Delay technology ensures that every packet goes through without delay, even if power is lost to the Tap
- Compatible with Mid-Span Power over Ethernet (PoE) applications
- Passes all traffic (including errors) from all layers for comprehensive troubleshooting
- No IP address is needed for the Tap or monitoring device, enhancing monitoring security
- Redundant power ensures monitoring uptime
- Fully RoHS compliant

Ease of Use

- Front-mounted connectors support easy installation and operation
- LED indicators show redundant power, speed, link, and activity status
- Monitoring and network cables included
- Optional 19-inch rack frames hold up to two Taps
- Compatible with all major manufacturers' monitoring devices, including protocol analyzers, probes, and intrusion detection/prevention systems

Support

- Net Optics offers technical throughout the lifetime of your purchase. Our technical support team is available from 8 a.m. to 5 p.m. Pacific Time, Monday through Friday at +1 (408) 737-7777 and via e-mail at ts-support@netoptics.com. FAQs are also available on Net Optics website at www.netoptics.com.

About This Guide

This guide explains how to install the 10/100 to Triple-speed Port Aggregator. Please read this Guide before attempting to install the equipment.

This guide covers the following model: Model TPA-CU.

Unpacking and Inspection

Carefully unpack the 10/100 to Triple-speed Port Aggregator and check for damaged or missing parts. The Tap ships with the following:

- 10/100 to Triple-speed Port Aggregator (TPA-CU)
- Two power supplies
- Two network cables
- Two monitor cables
- Installation Guide

You may have also ordered a one-rack-unit panel for mounting two Taps and an extended warranty. Carefully check the packing slip against parts received. If any part is missing or damaged, contact Net Optics Customer Service immediately.

Product Diagrams

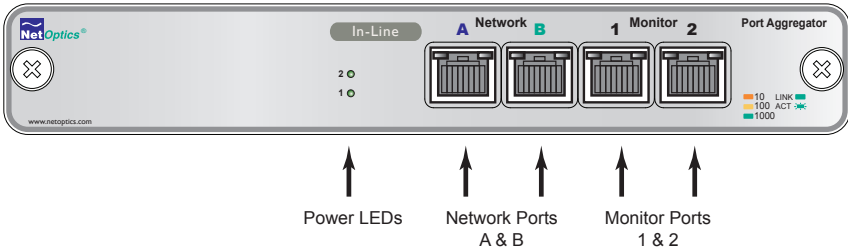


Figure 1: Front Panel

LED Indicators

- **1 / 2:** Main and Redundant Power. If the Tap is deployed with both power supplies, both LEDs will illuminate when the Tap is plugged in. If an LED is off, this indicates that the corresponding power supply is not functioning.
- **Link Speed Indicator:** Located in the upper left corner of each RJ45 connector. It illuminates solid amber for a 10Mbps link, yellow for a 100Mbps link, and green for a 1000Mbps link.
- **Link/Activity Indicator:** Located in the upper right corner of each RJ45 connector. If a good link is established, the LED illuminates a steady green. If there is current activity on this link, the LED flashes.

Application Diagrams: Memory Operation

All traffic that passes through the Tap is sent to the monitoring device NIC on a first-in, first-out basis, including traffic that is temporarily stored in memory. If two packets enter at the same time then one packet is processed while the other is stored briefly in memory, preventing collisions.

When there is a burst of data, traffic in excess of the NIC's capacity is sent to the Tap's memory. Up to one gigabyte of data from the full-duplex stream can be stored in memory. Memory continues to fill until its capacity is reached, or the burst ends – whichever comes first.

In both cases, the Tap applies a first-in, first out procedure, processing stored data before new data from the link. If memory fills before the burst ends, the memory stays filled as the stored data is processed – data that leaves the buffer is immediately replaced. If the burst ends before the memory fills, memory clears until the full gigabyte of capacity is available, or until another burst in excess of the NIC's capacity requires additional memory.

The following three diagrams illustrate a simple example of a 100 Mbps NIC moving from 80 percent utilization, to 140 percent utilization, then back to 80 percent utilization.

State 1: Side A + Side B is less than or equal to 100% of the NIC's receive utilization

Example: On a 100 Mbps link, Side A is at 30 Mbps and Side B is at 50 Mbps. The NIC receives 80 Mbps of traffic (80% utilization), so no memory is required for the monitoring device NIC to process all full-duplex traffic.

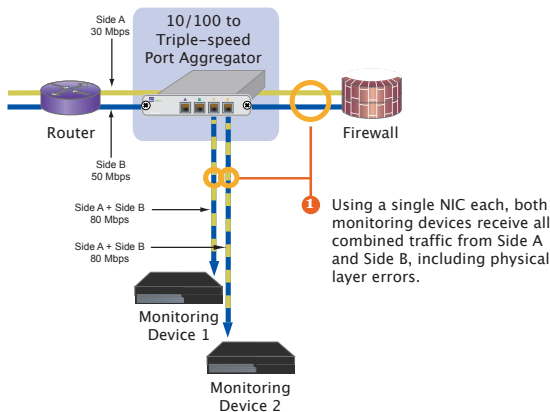


Figure 2: 80% Utilization

State 2: Side A + Side B becomes greater than 100% of the NIC's receive utilization

Example: There is a burst of traffic, so Side A is now at 90 Mbps while Side B remains at 50 Mbps. The NIC's utilization is at 140%, requiring the use of memory to help prevent data loss.

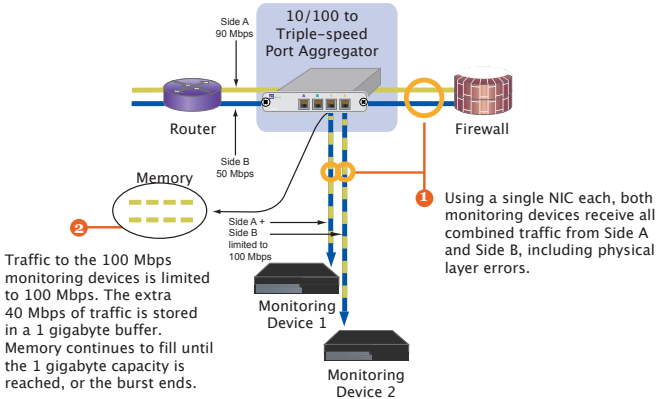


Figure 3: 140% Utilization

State 3: Side A + Side B is once again less than 100% of the NIC's receive utilization

Example: On a 100 Mbps link, Side A is again at 30 Mbps and Side B remains at 50 Mbps. The NIC's utilization is again at 80%.

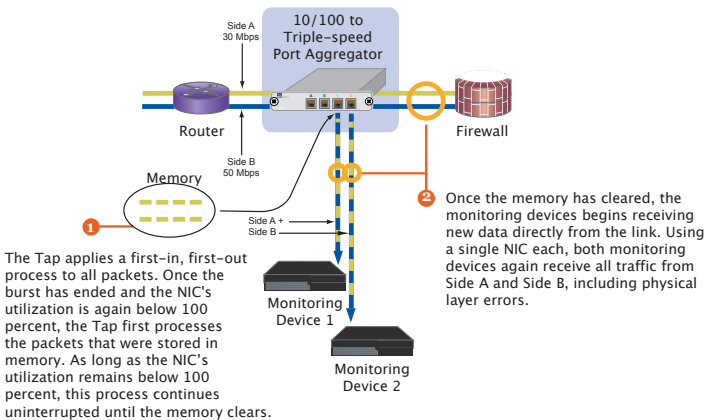


Figure 4: Return to 80% Utilization

Cabling Guidelines

Use straight-through cables to connect the Network ports to routers or NICs.
 Use cross-over cables to connect the Network ports to switches and hubs. The Network ports transmit on pins 3 & 6 and receive on pins 1 & 2.

Note:

Network Ports A and B automatically detect and match the speed and duplex settings of the attached network devices.

Connecting to the Network

1. Connect Network Port A to the appropriate network device following the cabling guidelines above.
2. Connect Network Port B to the appropriate network device following the cabling guidelines above.
3. Verify that the Tap Network Ports are cabled in-line between two devices.

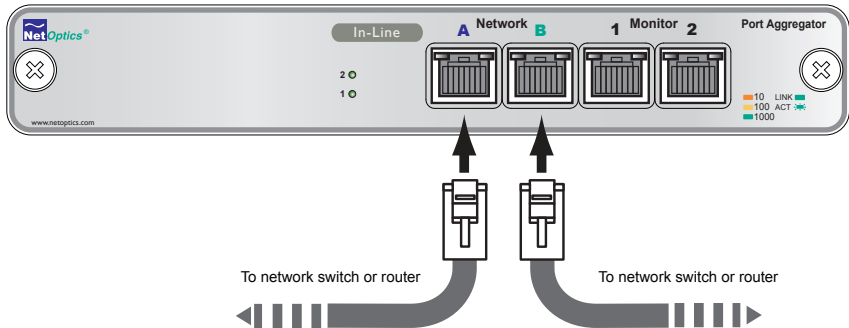


Figure 5: Connecting to the Network

Connecting to the Monitoring Devices

1. Supply power to the Tap using the two power supplies included with the unit. The use of the second redundant power supply is optional.

Note:

The second power supply is available to support the flow of traffic to the monitoring device, in the event that the first power supply becomes unavailable. If the first power supply is unavailable, the second power supply will supply all power for the Tap. Even if no power is available to the passive Tap, network traffic flows uninterrupted.

2. Verify that the Power LEDs illuminate. PWR 1 illuminates when the first power supply is in use, and PWR 2 illuminates when the second power supply is in use. Both power supplies can be plugged into the Tap at the same time.
3. Connect Monitor Port 1 to the appropriate port on the monitoring device using a CAT5 RJ45 straight-through cable to monitor the full-duplex link.
4. Connect Monitor Port 2 to the appropriate port on the monitoring device using a CAT5 RJ45 straight-through cable to monitor the full-duplex link.

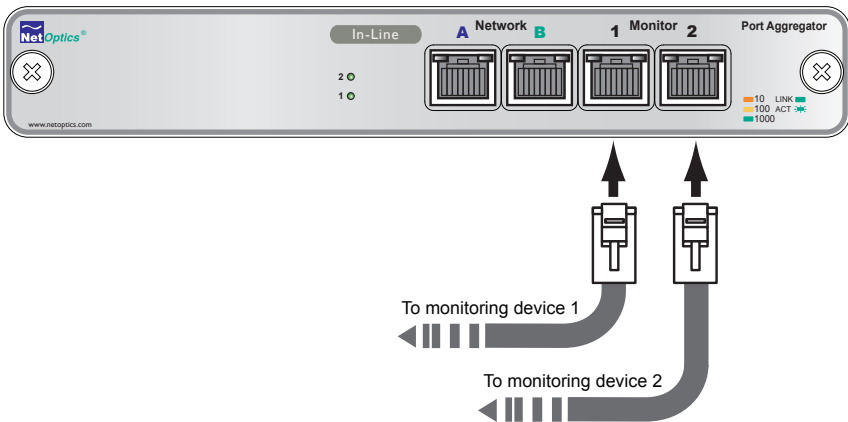


Figure 6: Connecting to Monitoring Devices

Specifications

Environment

Operating Temperature: 0°C to 40°C

Storage Temperature: -10°C to 70°C

Relative Humidity: 10% min, 95% max, non-condensing

Power

Power Supply Input:

100-240VAC, 0.5A, 47-63Hz

Output: 12V, 5A

Mechanical

Dimensions: 1.125" high x 11.0" deep x 8.75" wide

Cable Interface

Copper Cable Type: 22-24 AWG unshielded twisted pair cable,
CAT5/CAT5e

Connectors

(2) RJ45, 8-pin connectors (network ports)

(2) RJ45, 8-pin connectors (monitor ports)

Certifications

Fully RoHS compliant

Limitations on Warranty and Liability

Net Optics offers a limited warranty for all its products. IN NO EVENT SHALL NET OPTICS, INC. BE LIABLE FOR ANY DAMAGES INCURRED BY THE USE OF THE PRODUCTS (INCLUDING BOTH HARDWARE AND SOFTWARE) DESCRIBED IN THIS MANUAL, OR BY ANY DEFECT OR INACCURACY IN THIS MANUAL ITSELF. THIS INCLUDES BUT IS NOT LIMITED TO LOST PROFITS, LOST SAVINGS, AND ANY INCIDENTAL OR CONSEQUENTIAL DAMAGES ARISING FROM THE USE OR INABILITY TO USE THIS PRODUCT, even if Net Optics has been advised of the possibility of such damages. Some states do not allow the exclusion or limitation of implied warranties or liability for incidental or consequential damages, so the above limitation or exclusion may not apply to you.

Net Optics, Inc. warrants this Tap to be in good working order for a period of ONE YEAR from the date of purchase from Net Optics or an authorized Net Optics reseller.

Should the unit fail anytime during the said ONE YEAR period, Net Optics will, at its discretion, repair or replace the product. This warranty is limited to defects in workmanship and materials and does not cover damage from accident, disaster, misuse, abuse or unauthorized modifications.

If you have a problem and require service, please call the number listed at the end of this section and speak with our technical service personnel. They may provide you with an RMA number, which must accompany any returned product. Return the product in its original shipping container (or equivalent) insured and with proof of purchase.

Additional Information

Net Optics, Inc. reserves the right to make changes in specifications and other information contained in this document without prior notice. Every effort has been made to ensure that the information in this document is accurate. Net Optics is not responsible for typographical errors.

THE WARRANTY AND REMEDIES SET FORTH ABOVE ARE EXCLUSIVE AND IN LIEU OF ALL OTHERS, EXPRESS OR IMPLIED. No Net Optics reseller, agent, or employee is authorized to make any modification, extension, or addition to this warranty.

Net Optics is always open to any comments or suggestions you may have about its products and/or this manual.

Send correspondence to
Net Optics, Inc.
5303 Betsy Ross Drive
Santa Clara, CA 95054 USA
Telephone: +1 (408) 737-7777
Fax: +1 (408) 745-7719
Email: info@netoptics.com/Internet: www.netoptics.com

All Rights Reserved. Printed in the U.S.A. No part of this publication may be reproduced, transmitted, transcribed, stored in a retrieval system, or translated into any language or computer language, in any form, by any means, without prior written consent of Net Optics, Inc., with the following exceptions: Any person is authorized to store documentation on a single computer for personal use only and that the documentation contains Net Optics' copyright notice.

www.netoptics.com